



The Panasonic WV-CU360 System Controller is designed to control the optional dome cameras through WJ-MP204 Data Multiplex Unit or the WJ-FS309/WJ-FS316 Video Multiplexers.

The WV-CU360 System Controller enables control of the camera lenses, electronic zoom, auto focus&slow and pan/tilt heads. It also enables selection of the camera by numeric buttons through the WJ-MP204 Data Multiplex Unit.

The WV-CU360 System Controller enables two types of passwords for both Login and Set-up menus. This highly advanced video surveillance system controller delivers optimum performance at a competitive cost.

Key Features

The WV-CU360 System Controller enables the following key functions.

- Camera selection
- Alarm (LED/Suspend/Recall/Reset)
- Setup menu

Remote control of the Panasonic dome camera series via PS•Data Link mode through WJ-MP204.

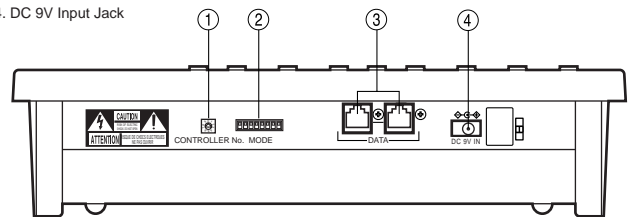
- Camera functions: Super Dynamic II /Electronic Shutter/Electronic Sensitivity/Automatic Gain Control/Site Alarm
- Lens function: Iris/Focus/Auto Focus/Zoom
- Housing: Defroster/Wiper/Auxiliary 1 & 2
- Pan/Tilt: slow Pan/slow Tilt/Auto Pan/Auto Sort/Auto Sequence/Random Pan/Preset/Home

Remote control of the WJ-FS309/WJ-FS316 Video Multiplexers via Panasonic Security Data (PS•Data) Link mode.

Multiscreen/Multiscreen Sequence/Multiscreen Sequence Stop/
Multiscreen Pause/Multiscreen Backward Sequence/Multiscreen
Forward Sequence/Forward step/Reverse step/Display Mode
(Multiscreen/Still)/Monitor Selection

Rear View

1. Controller Number switch
2. Mode Selection switches
3. Data Ports
4. DC 9V Input Jack

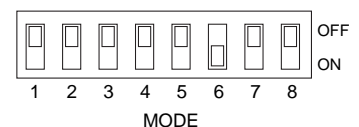


Setting the Controller Number



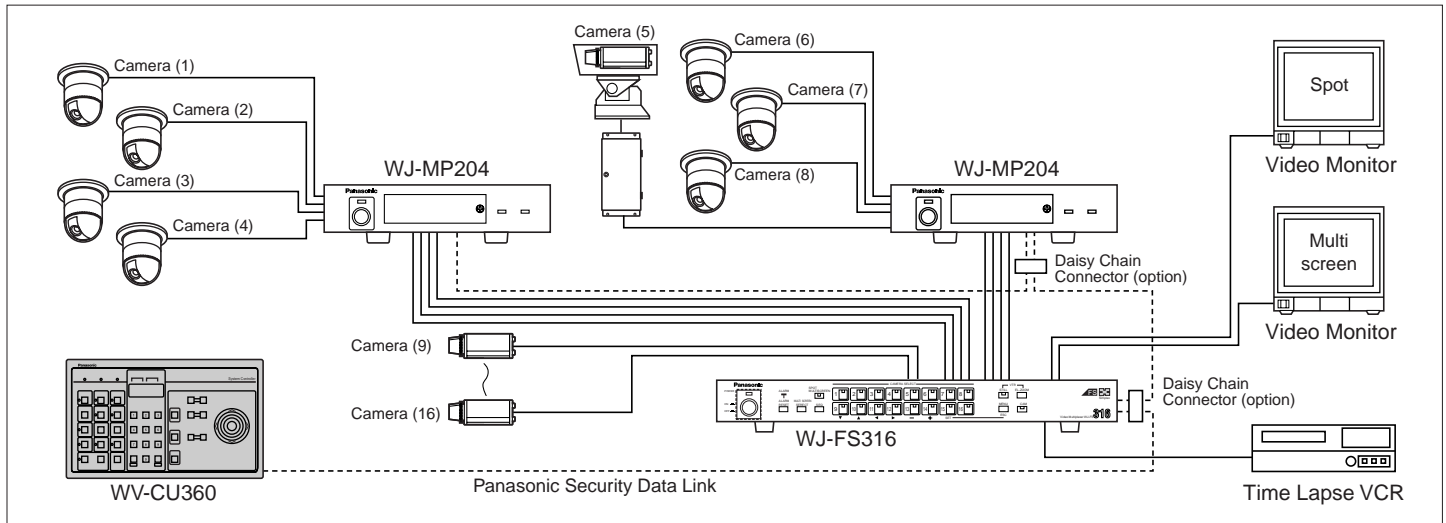
Controller Number Switch of WV-CU360	Unit Number
0	As reserve
1	1
2	2
3	3
4	4
5	5
6	6
7	7
8	8
9	As reserve

DIP Switch Setting



- Dip Switch (1)(2): Used to set the Panasonic Security Data mode.
- Dip Switch (3): As reserve.
- Dip Switch (4): As reserve.
- Dip Switch (5): Used to set the termination.
- Dip Switch (6): Used to appear Setup menu for Panasonic Security Data mode.
- Dip Switch (7): As reserve.
- Dip Switch (8): As reserve.

SYSTEM EXAMPLE



MAJOR OPERATING CONTROLS

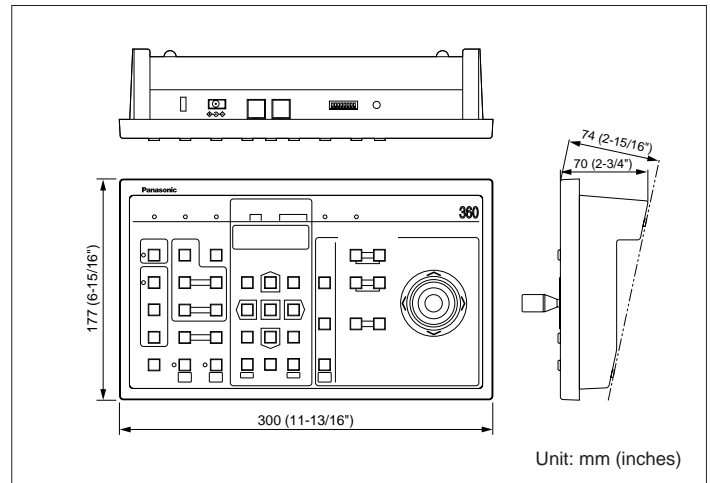
1. Operate indicator
2. Login indicator
3. Alarm indicator
4. Monitor/Unit indicator
5. LED Display
6. Busy indicator
7. Prohibited indicator
8. Joystick Controller
9. Iris buttons
10. Focus buttons
11. Zoom buttons
12. Unit A/Unit button
13. Unit B button
14. Home/Preset/Program
15. Numeric buttons
16. Camera/Set button
17. Log Out button
18. Monitor/Escape button
19. Program/Setup/Camera Function
20. Setup/Function button
21. Shift button
22. Auto Pan/Black and White button
23. Defroster/Auxiliary 2 button
24. Wiper/Auxiliary 1 button
25. Patrol Play/Patrol Learn
26. Alarm Suspend button
27. Alarm Reset/Alarm Recall button
28. Multiscreen button
29. VCR/Camera Selection button
30. Electronic Zoom/Increment button
31. Still/Decrement button
32. Sequence/Patrol Stop button
33. Sequence Pause/Slow button

SPECIFICATIONS

Power Source	9V DC, 400mA Use only AC Adapter model CU360D269P
Power Consumption	10W
Data Output/Input Port	6-conductor modular jack (RS-485, Full Duplex)
Switching Functions [WJ-MP204]	Selection the Camera
Switching Functions [WJ-FS309 (WJ-FS316)]	Multiscreen/Multiscreen Sequence/Multiscreen Sequence Stop/Multiscreen Pause/Multiscreen Backward Sequence/Multiscreen Forward Sequence/ Forward step/Reverse step Display Mode: (Multiscreen/Still) Monitor Selection
Unit address	1-8
Camera Functions	Super Dynamic II On/Off Electronic Shutter: On/Off, Increment/Decrement Electronic Sensitivity: On/Off, Increment/Decrement Automatic Gain Control: On/Off Site Alarm (Motion Detector): On/Off Site Alarm (Motion Detector) Display Mode: On/Off
Lens Functions	Iris: Open/Close/Preset (only with DC control lens) Focus: Near/Far/Auto Focus Auto Focus: Activate Zoom: Wide/Tele
Housing	Defroster: On/Off Wiper: On/Off Auxiliary 1: On/Off Auxiliary 2: On/Off
Pan/Tilt	Manual Pan (slow): Right/Left, Manual Tilt (slow): Up/Down Auto Pan On, Auto Sort On, Auto Sequence, Random Pan On, Preset, Home
Operating for System	Selection the Camera Alarm (Data/Display/Resume/Suspend/Recall/Reset), Setup Camera, Lens, Housing, PAN/TILT, External device control
Ambient Operating Temperature	-10°C - +50°C (14°F - 140°F)
Ambient Operating Humidity	Less than 90%
Dimensions	300 (W) x 74 (H) x 177 (D) mm [11-13/16" (W) x 2-15/16" (H) x 6-15/16" (D)]
Weight	1.3kg (2.9 lbs.)

AC Adapter....1pc 6-conductor Modular Cable Assembly....1pc

APPEARANCE



OPTIONAL ACCESSORY

Daisy Chain Connector

• Weights and dimensions are approximate. • Specifications are subject to change without notice. • These products may be subject to export control regulations.

Panasonic

Panasonic Security & Digital Imaging Company

A Division of Matsushita Electric Corporation of America

Security Systems Group

Executive Office : One Panasonic Way 3E7, Secaucus, New Jersey 07094

Regional Office

Northeast : One Panasonic Way, Secaucus, NJ 07094 (201) 348-7303

Southern : 1225 Northbrook Parkway, Suite 1-160, Suwanee, GA 30024 (770) 338-6838

Western : 6550 Katella Ave., Cypress, CA 90630 (714) 373-7840

DISTRIBUTED BY:

PANASONIC CANADA INC.

5770 Ambler Drive, Mississauga, Ontario, L4W 2T3 Canada (905) 624-5010

PANASONIC SALES COMPANY

DIVISION OF MATSUSHITA ELECTRIC OF PUERTO RICO, INC.

San Gabriel Industrial Park 65th Infantry Ave. KM. 9.5 Carolina, P.R. 00985 (809) 750-4300

Printed in Japan

[2P-468]